

Fan coil diffuser (linear) (FCD/L)

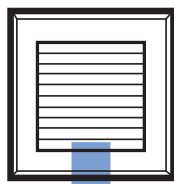
Fan coil diffusers (FCD/L) are suitable for supply air diffusion in ceiling applications. They are particularly useful in handling high volume/reduced throw situations. The fixed blades can be arranged for 1 and 2 way

throw patterns. Available options are Removable Core, Opposed Blade Dampers (OBD), Equalising Grids (EQG) and Plenum Boxes (PLB). Diffusers are manufactured from extruded aluminium sections, the mitred corners

being fully welded and finished. Finally they are stove enamelled RAL 9010 white as standard. Other finishes are available.

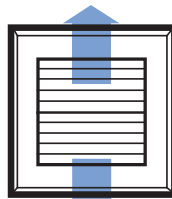
D01

Fan coil diffuser (linear) (FCD/L)



FCD/1

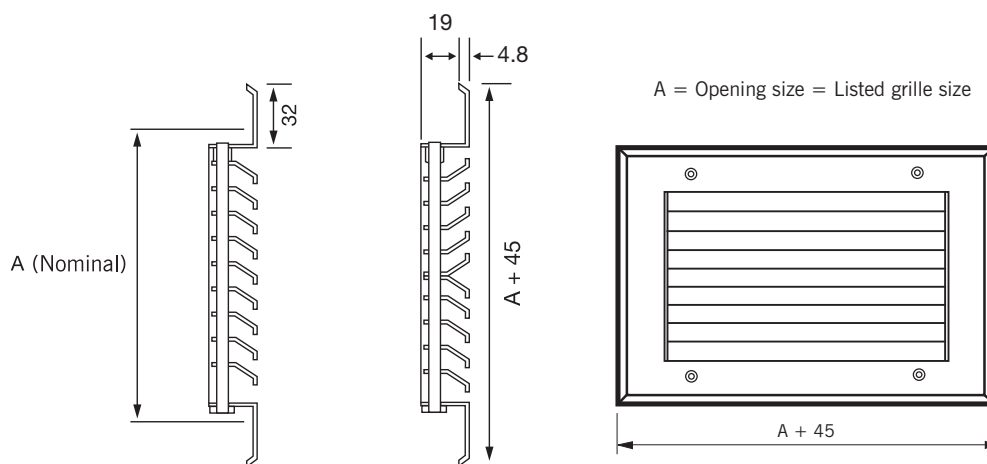
1 Way Throw Pattern



FCD/2

2 Way Throw Pattern

Dimensions



Fixing methods

FMA: Screw fixing (standard)

RC: Removable core (optional)

Performance data

Linear fan coil diffuser (FCD/L) One way blow style FCD/L/1

NECK SIZE (MM)		VOLUME FLOW RATE (M ³ /SEC/M)								
NOMINAL HEIGHT		0.075	0.100	0.125	0.150	0.175	0.200	0.225	0.250	0.275
150	THROW (M)*	3.0	4.1	5.2	6.4	7.8	9.0	-	-	-
	Pa	2	4	6	8	10	14	-	-	-
	NR (RA 8dB)	-	-	20	25	30	35	-	-	-
200	THROW (M)*	-	3.2	4.3	5.2	6.3	7.3	-	-	-
	Pa	-	-	3	4	6	8	-	-	-
	NR (RA 8dB)	-	-	-	20	24	28	-	-	-
250	THROW (M)*	-	-	3.5	4.5	5.5	6.2	7.2	7.9	9.0
	Pa	-	-	2	3	4	5	6	7	9
	NR (RA 8dB)	-	-	-	20	23	25	28	31	33
300	THROW (M)*	-	-	-	4.1	4.7	5.3	6.1	7.1	7.8
	Pa	-	-	-	2	3	3	4	6	7
	NR (RA 8dB)	-	-	-	-	20	23	26	29	31

* Throws based on a terminal velocity of 0.5m/sec with a Δt of -10°C.

NB: For isothermal/+10°C conditions please factor throws by 0.85

Correction factors (to be applied to the table above)

Active Length (m)	0.5	1.0	2.0	2.5	3.0
NR Correction	-4	-1	+2	+3	+5
Throw Correction	0.7	0.8	1.1	1.25	1.5

Two way blow style FCD/L/2

NECK SIZE (MM)		VOLUME FLOW RATE (M ³ /SEC/M)								
NOMINAL HEIGHT		0.075	0.100	0.125	0.150	0.175	0.200	0.225	0.250	0.275
150	THROW (M)*	2.0	3.0	4.2	5.4	6.7	7.6	-	-	-
	Pa	2	4	6	8	10	14	-	-	-
	NR (RA 8dB)	-	-	20	25	30	35	-	-	-
200	THROW (M)*	-	2.3	3.1	4	4.9	6.0	-	-	-
	Pa	-	-	3	4	6	8	-	-	-
	NR (RA 8dB)	-	-	-	20	24	28	-	-	-
250	THROW (M)*	-	-	2.6	2.8	3.9	4.6	5.4	6.3	7.1
	Pa	-	-	2	3	4	5	6	7	9
	NR (RA 8dB)	-	-	-	20	23	25	28	31	33
300	THROW (M)*	-	-	-	2.7	3.3	3.8	4.5	5.3	6.1
	Pa	-	-	-	2	3	3	4	6	7
	NR (RA 8dB)	-	-	-	-	20	23	26	29	31

* Throws based on a terminal velocity of 0.5m/sec with a Δt of -10°C.

NB: For isothermal/+10°C conditions please factor throws by 0.85

Correction factors (to be applied to the table above)

Active Length (m)	0.5	1.0	2.0	2.5	3.0
NR Correction	-4	-1	+2	+3	+5
Throw Correction	0.7	0.8	1.1	1.25	1.5