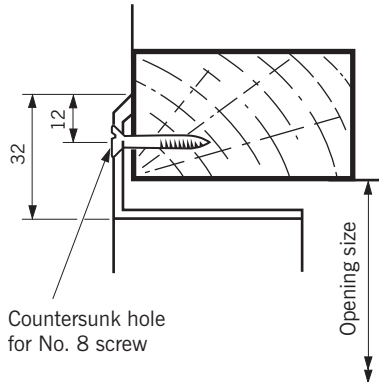
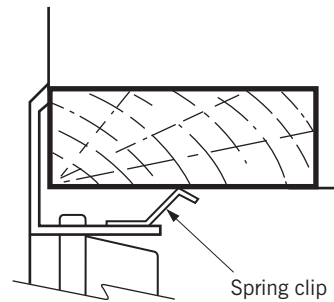


Fixing methods

FMA



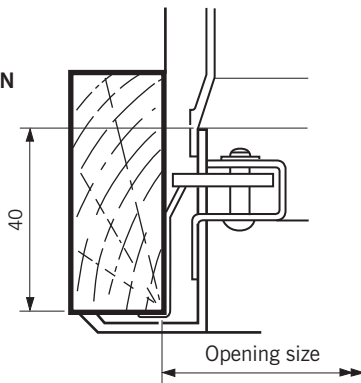
FMD



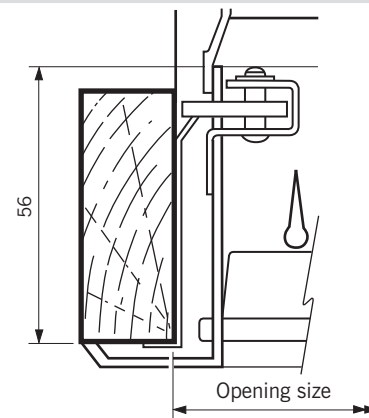
Not suitable for use in doors or ceilings and are subject to size limitation of 550 x 550mm or 1200 x 300mm.

FMB

SINGLE DEFLECTION

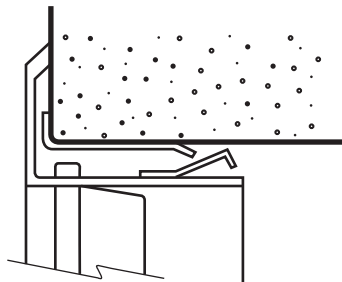


DOUBLE DEFLECTION



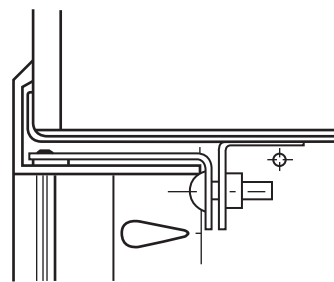
Not suitable for floor grilles. The steel sub-frame is fabricated in two widths to suit single or double row grilles as illustrated. Both are subject to size limitation of 550 x 550mm or 1200 x 300mm and are not suitable for fixed 15° or 45° applications.

FMC



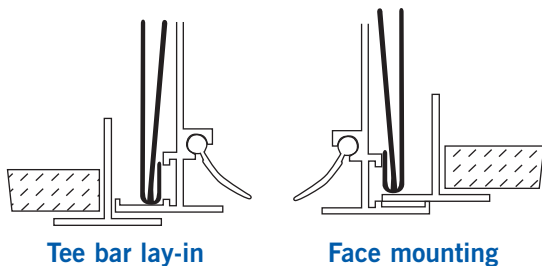
Primarily for use with sill units. Not suitable for use in ceilings and are subject to size limitation of 550 x 550mm or 1200 x 300mm.

FME

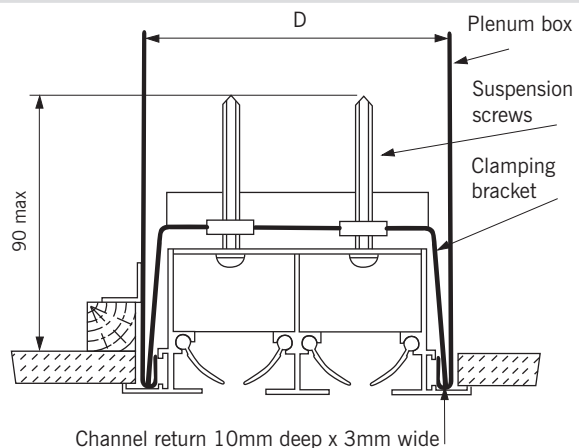


Used for heavy duty grilles with subframe and concealed fixing screws. Dampers used with FME fixing have to be fitted in a subframe.

FMK

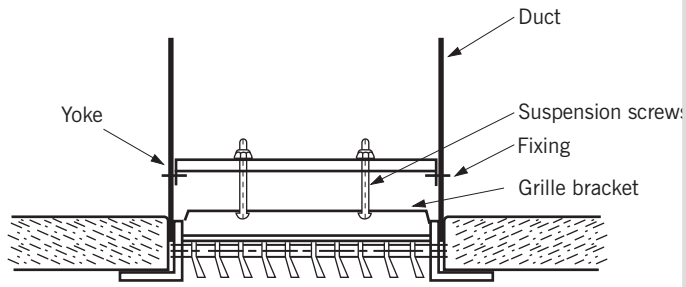


For other proprietary ceiling contact the sales office.



Fixing methods

FML



Primarily for use with bar type grilles and single/doubled deflection grilles where concealed fixing is required.